



VMD460-NA

Network and system protection (NS protection) for monitoring the network feed-in from generating plants

Software version, measurement technology: D398 V1.4x

Software version, display: D403 V2.4x



Quick-start guide

The quick-start guide does not replace the operating manual!

Source document manual:
VMD460-NA_D00001_0x_M_XXEN.pdf

Download at:
www.bender.de/en/service-support/downloads

Scope of delivery

- One VMD460-NA
- Safety instructions
- This quick-start guide

Intended use

The VMD460-NA voltage and frequency monitoring relay is used for network and system protection (NS protection) of CHP plants, wind power stations, hydroelectric power stations and photovoltaic systems feeding power into the network. If inadmissible voltage and frequency values occur on the supply side, the VMD460-NA disconnects the generating plant from the public network by means of an interface switch.

In order to meet the requirements of the applicable standards, adaptation to the system and operating conditions must be carried out on site. Please heed the limits of the area of application indicated in the technical specifications. Any other use than that described in this document is regarded as improper.

Safety instruction



DANGER! Danger of electric shock.

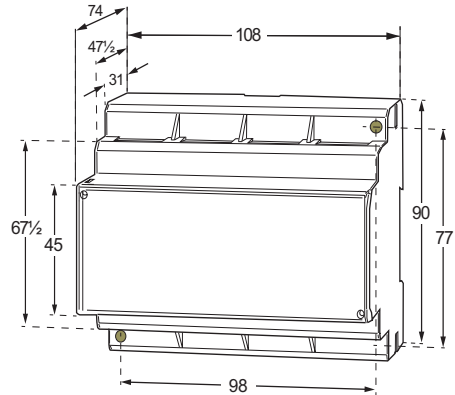
Touching live parts of the system carries the risk of:

- An electric shock
- Damage to the electrical installation
- Destruction of the device

Before installing and connecting the device, make sure that the installation has been de-energised. The rules for working on electrical systems must be observed.

The standards and regulations of the respective location apply.

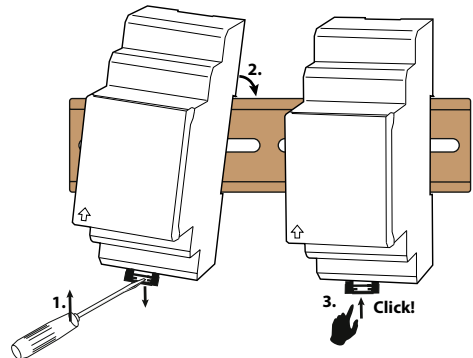
Dimensions



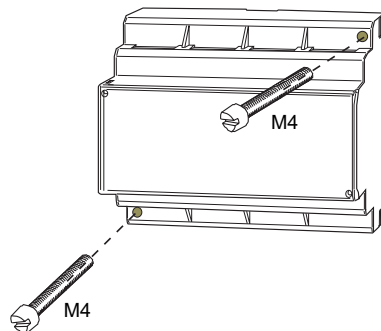
All dimensions in mm

Installation

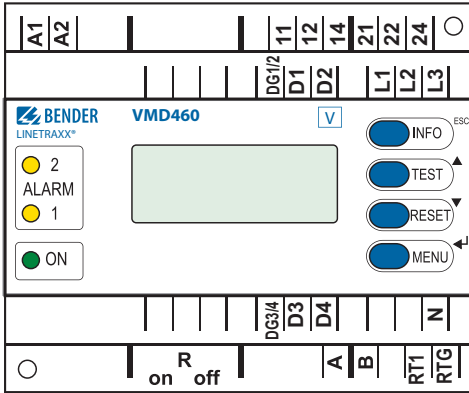
DIN rail (schematic diagram)



Screw mounting



Connections

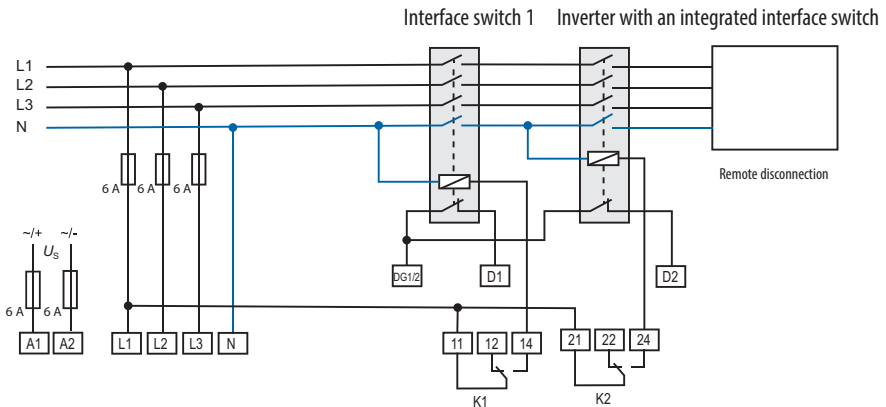


A1, A2	Supply voltage U_s
L1, L2, L3, N	Power supply connection
K1, K2	Relay connections
DG1/2, D1, D2	Contact monitoring interface switch DG1/2: GND D1: Feedback signal contact K1 D2: Feedback signal contact K2
RTG, RT1	RTG: GND RT1: remote trip input
A, B	Service interface
Ron/off	Terminating resistor of the service interface (120 Ω)
DG3/4, D3, D4	Digital inputs

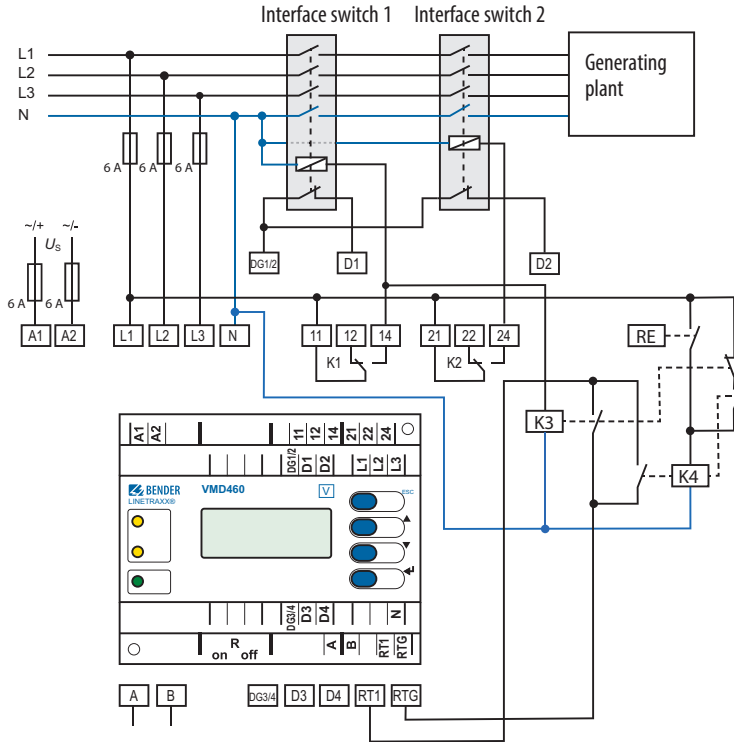
Application standards

Standard/application guide	Name on the display
VDE-AR-N 4105:2018-09	4105_2
VDE-AR-N 4105:2011-08	4105_1
VDE-AR-N 4110:2018-11	4110
BDEW technical guideline 2008 with amendments until 01.2013	BDEW
DIN V VDE V 0126-1-1:2006-02/A1:2012-02	0126
CEI 0-21(:2012-06, :V1:2012-12, :V2:2013-12, :2014-09, :V1:2014-12)	CEI 021
C10/11:2012-06	C10/11
G98:2018-05	G98
G83/2:2012 and G59/3:2013	G83/2
G99:2018-05	G99
G59/2(:2010, -1:2011)	G59/2

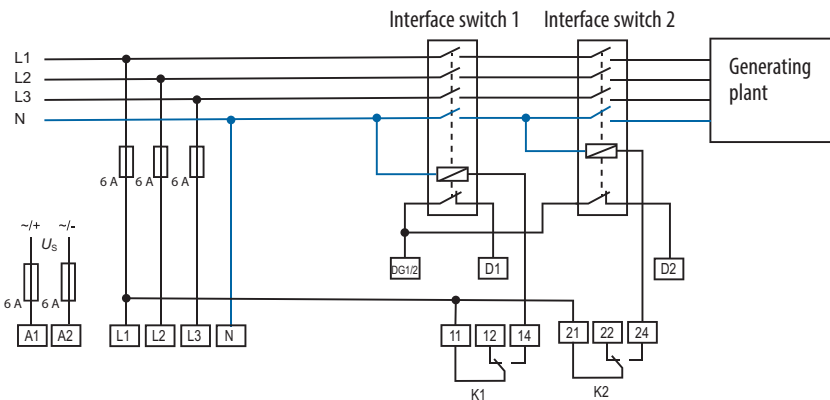
Wiring diagram VDE-AR-N 4105:2018 - basic program 4105_2,



Wiring diagram VDE-AR-N 4110:2018-11 – basic program 4110 (suggestion)

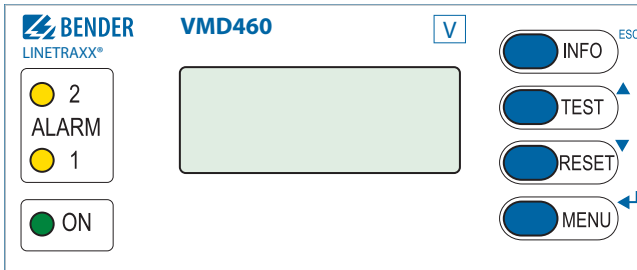


**Wiring diagram EREC G99, G98, C10/11, DIN V VDE V 0126-1-1
basic programs G98, G99, C10/10, 01261**



Further wiring diagrams in the manual.

Operating elements



Element	Function
ON	Power On LED (green): lights when the voltage supply is available and the device is in operation; flashes when the device is being started or when an internal device error has occurred
ALARM1 ALARM2	System disconnected: Both LEDs light (yellow): In case of a limit value violation of voltage or frequency, remote disconnection (remote trip, optional), df/dt (optional), vector shift detection (optional), unbalance (optional); Both LEDs flash (yellow): In case of an internal device error or contact monitoring error Only ALARM 1 lights: Reconnection conditions met. t(ON) elapses
	Backlit LC display
INFO ESC	Standard display: Measured value display and device information Menu display: Exit the parameter setting menu without saving; Go to the next higher menu level
TEST ▲	Standard display: The TEST button (> 1.5 s) is used to start a manual self test which triggers both output relays (tripping test to check the interface switches). In addition, the disconnection times are documented. Menu display: Arrow-up button for parameter change and scrolling
RESET ▼	Standard display: (> 1.5 s) Acknowledge error messages from contact monitoring Menu display: Arrow-down button for parameter change and scrolling
MENU ⏪	Standard display: Toggle between standard, menu and alarm display Menu display: Go to setting parameters; save changes

Navigation

Button	Navigation	Function
INFO	ESC	Jump back one menu level
TEST	▲	Menu item selection (previous); parameter selection (previous) Value increase
RESET	▼	Menu item selection (next); parameter selection (next) Value decrease
MENU	⏪	Confirm entered value

Menu structure (MENU)

Alarm/meas. values	U(1-N); U(2-N); U(3-N); U10LN; U10LL; U(1-2); U(2-3); U(3-1); frequency; df/dt; state; $t_{(ON)}$; unbalance; vect.shift**; rotating field; $t_{(OFF)}$ TOTAL; $t_{(OFF)}$ DEVICE	Specification of the parameter and the corresponding VALUE in each case See manual, chapter 5.4.2																						
History	Line 1: Event number Line 2: Start of the event: Date/time Line 3: Acknowledgement of the event: Date/time Line 4: End of the event: Date/time	See manual, chapter 5.4.3																						
Settings	The menu structures in the settings contain different entries for each standard.	See manual, chapter 6																						
System	<table border="0"> <tr> <td>History</td> <td>Clear history</td> </tr> <tr> <td>Language</td> <td>English/Deutsch/Italiano</td> </tr> <tr> <td>Clock</td> <td>Format/date/time/summer time</td> </tr> <tr> <td>Password</td> <td>Password/state</td> </tr> <tr> <td>Interface</td> <td>Address; master 1...90; slave 2...90</td> </tr> <tr> <td>Alarm addresses</td> <td>Address 1...150</td> </tr> <tr> <td>TEST</td> <td>Run TEST</td> </tr> <tr> <td>RESET</td> <td>Perform RESET</td> </tr> <tr> <td>Test communication</td> <td>1...12. channel</td> </tr> <tr> <td>External devices</td> <td>List of connected devices</td> </tr> <tr> <td>Factory settings</td> <td>Restore factory settings</td> </tr> </table>	History	Clear history	Language	English/Deutsch/Italiano	Clock	Format/date/time/summer time	Password	Password/state	Interface	Address; master 1...90; slave 2...90	Alarm addresses	Address 1...150	TEST	Run TEST	RESET	Perform RESET	Test communication	1...12. channel	External devices	List of connected devices	Factory settings	Restore factory settings	See manual, chapter 5.4.4
History	Clear history																							
Language	English/Deutsch/Italiano																							
Clock	Format/date/time/summer time																							
Password	Password/state																							
Interface	Address; master 1...90; slave 2...90																							
Alarm addresses	Address 1...150																							
TEST	Run TEST																							
RESET	Perform RESET																							
Test communication	1...12. channel																							
External devices	List of connected devices																							
Factory settings	Restore factory settings																							
Info	Device name Current date and time BMS bus address Software version, measurement technology Software date, measurement technology Software version, display Software date, display Manufacturer of the device Address of the manufacturer Internet address of the manufacturer	See manual, chapter 5.4.5																						

Commissioning steps

1	Select a language (English, German, Italian)	Menu 4.2 : 4. SYSTEM → 2. Language
2	Set date and time additionally.	Menu 4.3 : 4. SYSTEM → 3. Clock
3	Select a standard.	Menu 3.1.1 : 3. SETTINGS → 1. General → 1. Standard

After commissioning, the parameters of the VMD460-NA can be changed.

i *Unauthorised changes. After commissioning, the essential settings of the VMD460-NA have to be protected against unauthorised changes by a password. If the password protection is not used, the device has to be sealed.*

Display contrast. Simultaneously press and hold down the buttons "INFO" and "MENU" until the display text is clearly readable.

Change of standard. Existing user-defined settings are not saved when the user standard is changed.

Technical data
Insulation coordination acc. to IEC 60664-1/IEC 60664-3

Rated voltage.....	400 V
Rated impulse voltage.....	6 kV
Pollution degree.....	2
Overvoltage category.....	III
Voltage test according to IEC 61010-1: (N, L1, L2, L3) - (A1, A2), (11, 12, 14, 21, 22, 24).....	3.32 kV

Supply voltage

Nominal supply voltage U_s	AC/DC 100...240 V; DC/50/60 Hz
Operating range U_s	AC/DC 75...300 V DC/40...70 Hz
Power consumption at AC 230 V.....	< 7.5 VA/< 3.5 W max. 9 VA/3.5 W

Measuring circuit

Nominal system voltage U_n (r.m.s. value) (L-N).....	AC 0...300 V
Nominal system voltage U_n (r.m.s. value) (L-L).....	AC 0...520 V
Input resistance (Load) L1, L2, N.....	480 k Ω
Input resistance (Load) L3.....	680 k Ω
Rated frequency f_n ($U_n > 20$ V).....	45...65 Hz

Response values

System type.....	1AC: 230 V, 50 Hz 3(N)AC: 400/230 V, 50 Hz
Relative uncertainty, voltage.....	$U \leq 280$ V: $\pm 1\%$ $U > 280$ V: $\pm 3\%$
Resolution of setting, voltage.....	1%
Nominal frequency.....	50/60 Hz
Relative uncertainty, frequency.....	$\pm 0.1\%$
Resolution of setting f	0.05 Hz

Time response

Delay time for connection t_{on}	40 ms...60 min
--	----------------

Digital inputs

Monitoring of potential-free contacts or voltage inputs:.....	closed = low; 0...4 V; $I_{in} < -5$ mA open = high; 6...30 V
D1.....	feedback signal contact K1
D2.....	feedback signal contact K2
D3.....	local control (mode)
D4.....	external signal (mode)
RT1.....	remote trip
DG1/2, DG3/4, RTG.....	GND
Max. length of the connecting cables of digital inputs.....	3 m

Displays, memory

Display.....	LC display, multi-functional, illuminated
Display range, measured value.....	AC/DC 0...520 V

Operating uncertainty, voltage.....	$U \leq 280$ V: $\pm 1\%$ $U > 280$ V: $\pm 3\%$
Operating uncertainty, frequency.....	$\pm 0.1\%$

Switching elements

Number of changeover contacts.....	2 x 1 (K1, K2)
Operating mode.....	NC operation/NO operation.

Environment/EMC

EMC.....	DIN EN 60255-26/CEI 0-21
Operating temperature.....	-25...+55 °C

Classification of climatic conditions acc. to IEC 60721

(except condensation and formation of ice)

Stationary use (IEC 60721-3-3).....	3K23
Transport (IEC 60721-3-2).....	2K11
Long-term storage (IEC 60721-3-1).....	1K22

Classification of mechanical conditions acc. to IEC 60721

Stationary use (IEC 60721-3-3).....	3M11
Transport (IEC 60721-3-2).....	2M4
Long-term storage (IEC 60721-3-1).....	1M12

Connection

Connection type.... screw-type terminals or push-wire terminals

Connection properties:

rigid.....	0.2...4 mm ² (AWG 24...12)
flexible.....	0.2...2.5 mm ² (AWG 24...14)
Stripping length.....	8...9 mm
Tightening torque.....	0.5...0.6 Nm

Other

Operating mode.....	continuous operation
Mounting.....	any position
Degree of protection, internal components (DIN EN 60529) IP30	
Degree of protection, terminals (DIN EN 60529).....	IP20
Flammability class.....	UL94 V-0
DIN rail mounting acc. to.....	IEC 60715
Screw mounting.....	2 x M4 with mounting clip
Documentation number.....	D00001

(*) = Factory setting

Ordering details

Type	Supply voltage U_s	Art. No.
VMD460-NA-D-2	AC/DC 100...240 V/ DC 50/60 Hz	B93010045
Mounting clip for screw mounting		B98060008



Alle Rechte vorbehalten.
Nachdruck und Vervielfältigung
nur mit Genehmigung des Herausgebers.

Bender GmbH & Co. KG

Postfach 1161 • 35301 Grünberg • Deutschland
Londorfer Str. 65 • 35305 Grünberg • Deutschland
Tel.: +49 6401 807-0 • Fax: +49 6401 807-259
E-Mail: info@bender.de • www.bender.de



All rights reserved.
Reprinting and duplicating
only with permission of the publisher.

Bender GmbH & Co. KG

P.O. Box 1161 • 35301 Grünberg • Germany
Londorfer Str. 65 • 35305 Grünberg • Germany
Tel.: +49 6401 807-0 • Fax: +49 6401 807-259
E-mail: info@bender.de • www.bender.de